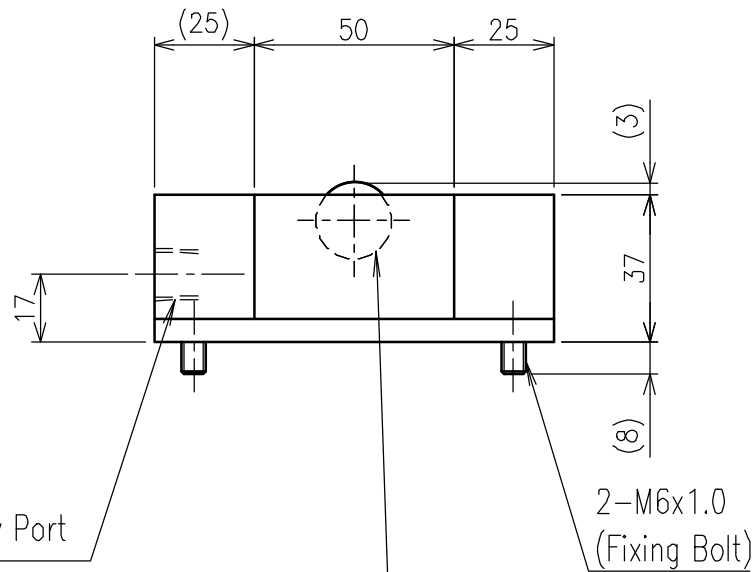


Dimension for mounting



Rc1/4
Air Supply Port

Large Ball Size = $\phi 3/4$ " (19.05mm)
1. Stroke : 3mm
2. No. of Balls : 1 Pcs

>Description
ISR-C38 Type Cleanroom Air Ball Lifter
ISR-C38-100-A Type
Unit = mm