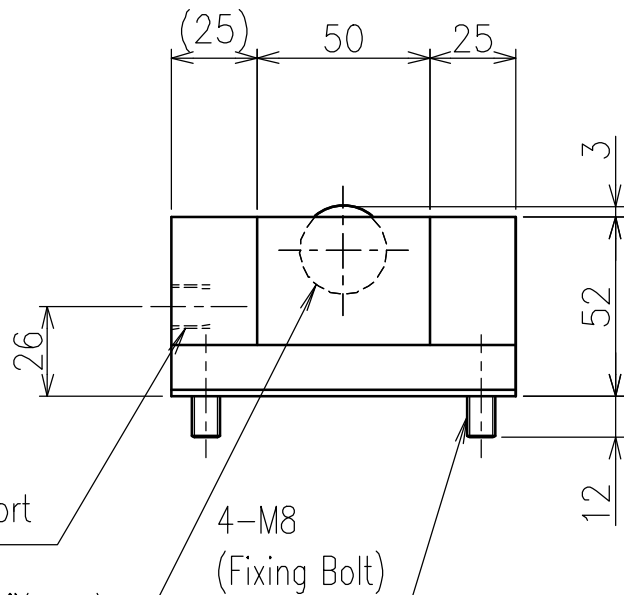


Dimension for mounting



Large Ball Size = $\phi 1$ "(25.4)
 1.Stroke : 3mm
 2.No. of Balls : 1 Pcs

>Description

ISR-C50D Type Cleanroom Air Ball Lifter
 ISR-C50D-100-A Type
 Unit = mm