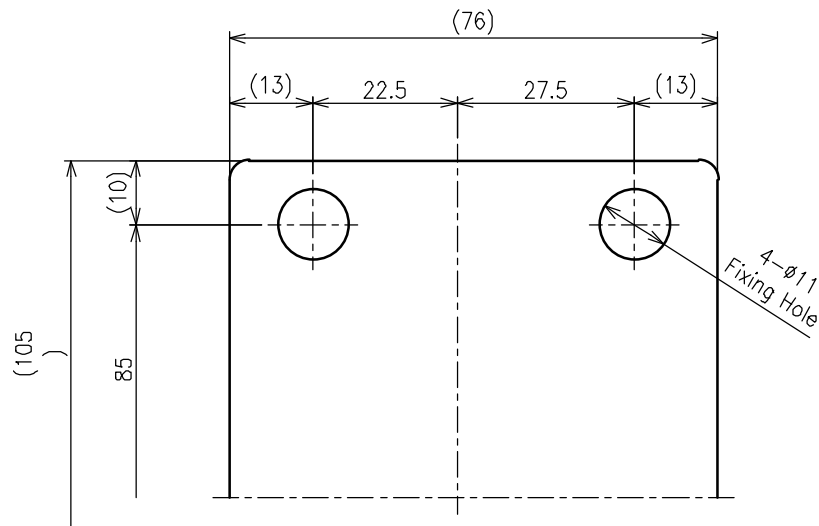


>Description  
 SW Special Wheel  
 SW-50-K Type  
 Unit = mm



>Specification  
 Product Weight = 0.95kg  
 Load Capacity = 100kgf

Head = S45C (Hardend)  
 Body = FC250