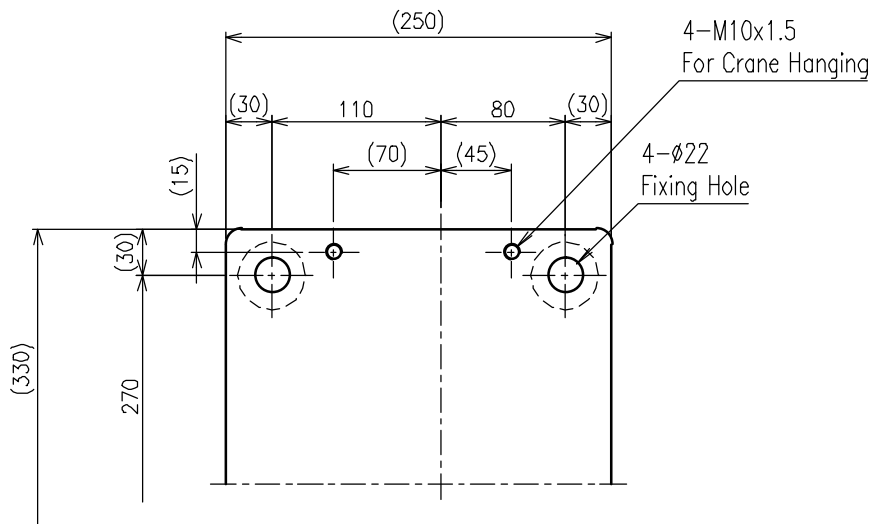


>Description  
 SW Special Wheel  
 SW-250-BS-I Type  
 Unit = mm



>Specification  
 Product Weight = 83kg  
 Load Capacity = 15000kgf

Head = SCM415 (Hardend)  
 Body = FC250