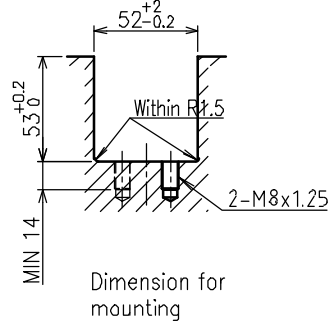


Large Ball Size = $\phi 1'' (25.4)$
 1. Stroke : 3mm
 2. No. of Balls : 17 Pcs



>Description
 ISR50S Type Air Ball Lifter
 ISR50S-900-A Type
 Unit = mm